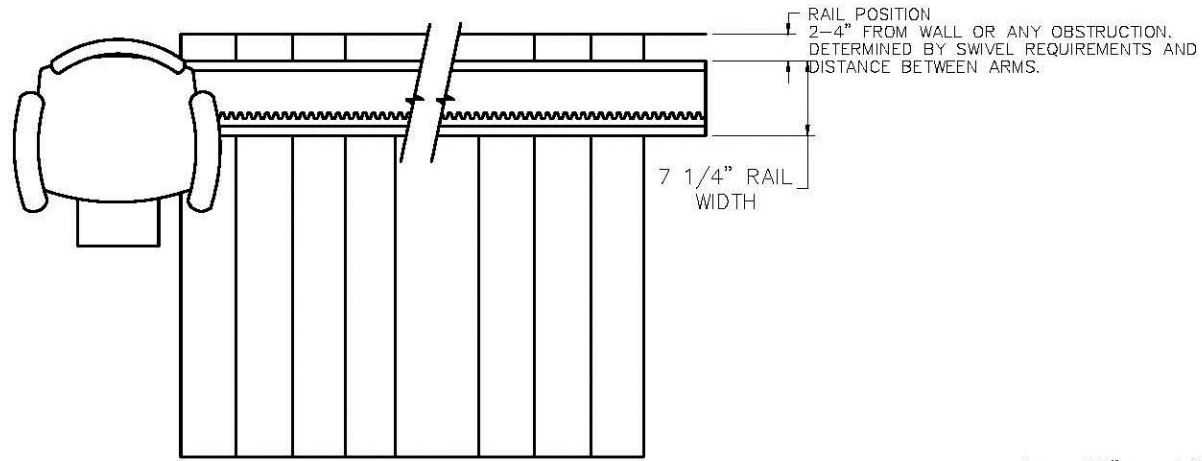
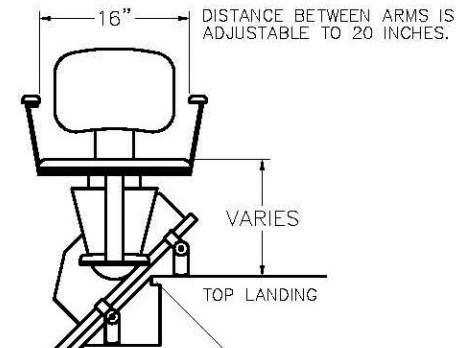


TECHNICAL DATA/SPECIFICATIONS

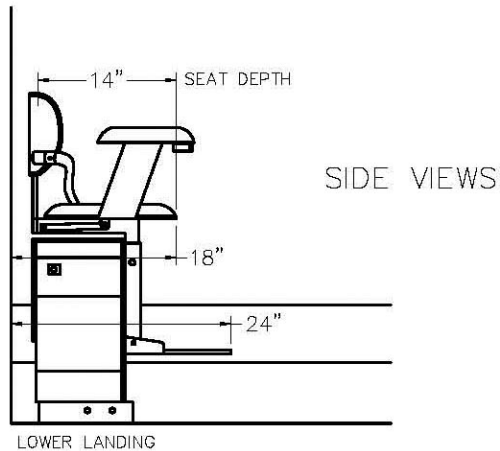
MODEL: SRE-1550 Electra Ride II
 RATED LOAD: 350 LBS, ONE PASSENGER
 POWER SOURCE: 24 VOLT DC COMPRISED OF (2) 7 AMP/HR 12 VOLT SEALED BATTERIES.
 110 VOLT AC 1.5 AMP, 24 VOLT DC 3 AMP CONTINUOUS MONITORING CHARGER.
 DRIVE: 24 VOLT DC MOTOR, 2 POLE RATED 1.02 HP NO LOAD SPEED OF 3800 RPM.
 20:1 RIGHT ANGLE SELF LOCKING WORM DRIVE GEAR BOX WITH 4:1 INTERMEDIATE REDUCTION USING DUAL 3 V WIDE BELTS.
 FINAL DRIVE: RACK & PINION - 8DP RACK WELDED TO THE RAIL WITH A SPUR GEAR ON THE GEARBOX SHAFT.
 BRAKING: DYNAMIC MOTOR BRAKING THROUGH THE MOTOR CONTROLLER AND SELF LOCKING WORM GEAR.
 CONTROLS: CONTINUOUS PRESSURE ROCKER SWITCH LOCATED ON ARMREST AND WALL MOUNTED CALL/SEND CONTROLS LOCATED AT BOTH TOP & BOTTOM LANDINGS.
 ANGLES: 0 TO 45 DEGREES (Specials up to 50 Degrees)
 SPEED: 35 FEET PER MINUTE UNLOADED
 28 FEET PER MINUTE WITH RATED LOAD (SPEED SETTINGS ARE ADJUSTABLE)
 FINAL LIMIT SWITCH STANDARD
 OPTIONS:
 _____ COMMERCIAL PACKAGE
 INCLUDES OVERSPEED SAFETY BRAKE, KEYED CALL/SEND CONTROLS, & KEYED CONTROLS ON CHAIR



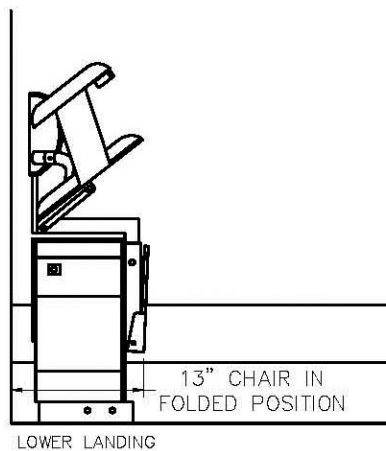
TOP VIEW



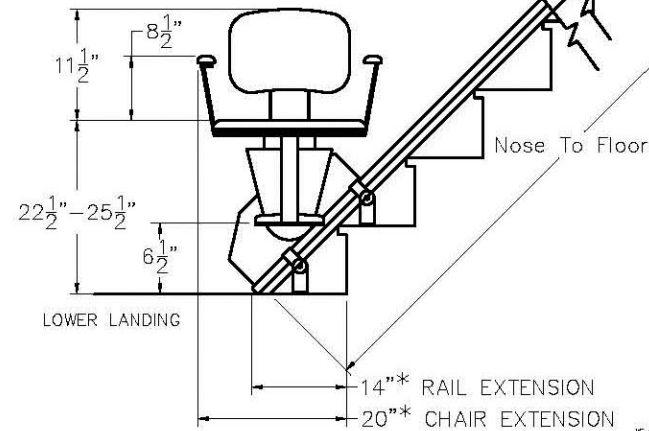
ELEVATION VIEW



SIDE VIEWS



LOWER LANDING



* LOWER LANDING EXTENSION DIMENSIONS ARE BASED ON 40 DEGREE RAIL SLOPE AND 8" 1ST RISER HEIGHT, DIMENSIONS WILL VARY BASED ON SLOPE AND RISER HEIGHT.



1780 Executive Drive
 P.O. Box 84
 Oconomowoc, WI 53066
 Tel 800-882-8183
 Fax 262-953-5501
<http://www.bruno.com/>

rev: 04/15/2005 ISO 404.76

ALL DIMENSIONS SHOWN ARE BASED ON A WALL TO RAIL DIMENSION OF 3".

TECHNICAL DATA/SPECIFICATIONS

MODEL: SRE-1550 Electra Ride II w/Large seat (1540 style)
 RATED LOAD: 350 LBS, ONE PASSENGER

POWER SOURCE: 24 VOLT DC COMPRISED OF (2) 7 AMP/HR
 12 VOLT SEALED BATTERIES.

110 VOLT AC 1.5 AMP, 24 VOLT DC 3 AMP
 CONTINUOUS MONITORING CHARGER.

DRIVE: 24 VOLT DC MOTOR, 2 POLE RATED 1.02 HP
 NO LOAD SPEED OF 3800 RPM.
 20:1 RIGHT ANGLE SELF LOCKING WORM DRIVE
 GEAR BOX WITH 4:1 INTERMEDIATE REDUCTION
 USING DUAL 3 V WIDE BELTS.

FINAL DRIVE: RACK & PINION - 8DP RACK WELDED TO THE
 RAIL WITH A SPUR GEAR ON THE GEARBOX
 SHAFT.

BRAKING: DYNAMIC MOTOR BRAKING THROUGH THE MOTOR
 CONTROLLER AND SELF LOCKING WORM GEAR.

CONTROLS: CONTINUOUS PRESSURE ROCKER SWITCH LOCATED
 ON ARMREST AND WALL MOUNTED CALL/SEND
 CONTROLS LOCATED AT BOTH TOP & BOTTOM
 LANDINGS.

ANGLES: 0 TO 45 DEGREES (Specials up to 50 Degrees)

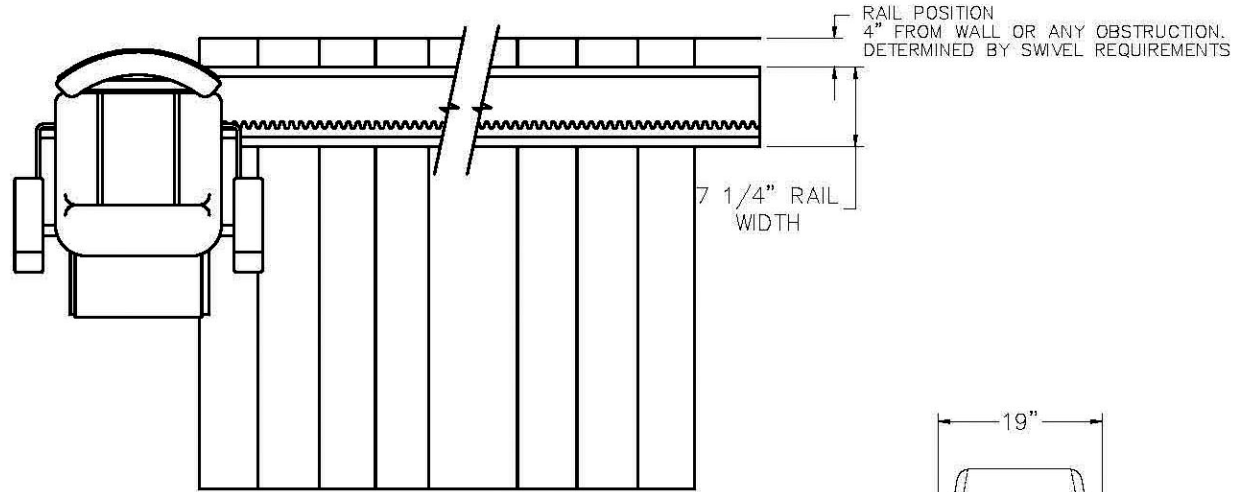
SPEED: 35 FEET PER MINUTE UNLOADED
 28 FEET PER MINUTE WITH RATED LOAD
 (SPEED SETTINGS ARE ADJUSTABLE)

FINAL LIMIT SWITCH STANDARD

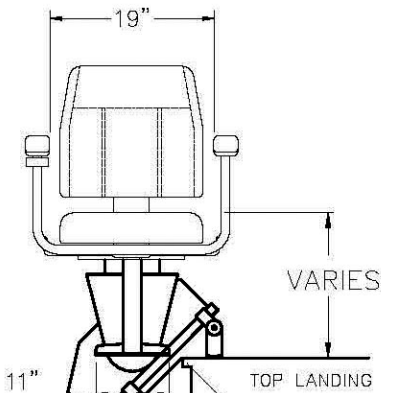
OPTIONS:

COMMERCIAL PACKAGE

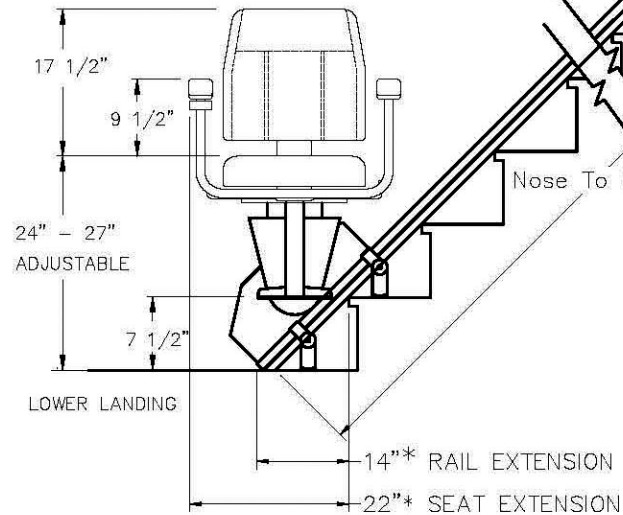
INCLUDES OVERSPEED SAFETY BRAKE, KEYED CALL/SEND
 CONTROLS, & KEYED CONTROLS ON CHAIR



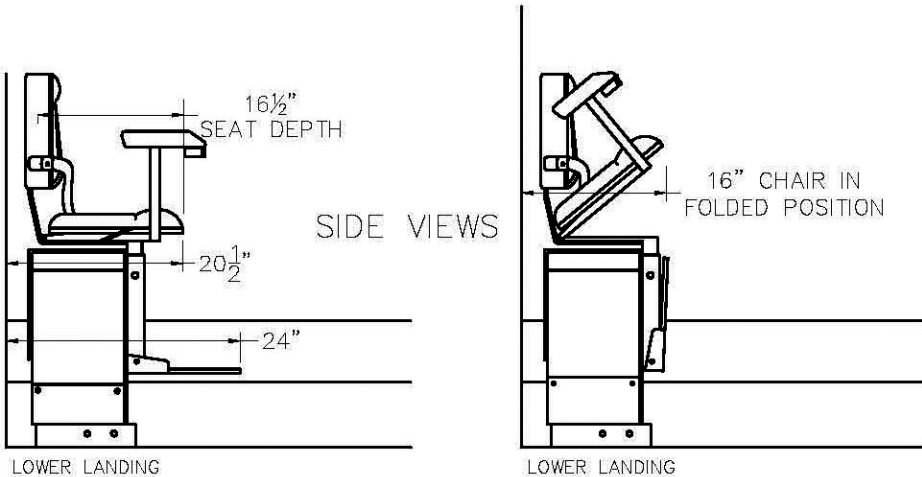
TOP VIEW



ELEVATION VIEW



* LOWER LANDING EXTENSION DIMENSIONS ARE
 BASED ON 40 DEGREE RAIL SLOPE AND 8" 1ST
 RISER HEIGHT, DIMENSIONS WILL VARY BASED ON
 SLOPE AND RISER HEIGHT.



SIDE VIEWS



1780 Executive Drive
 P.O. Box 84
 Oconomowoc, WI 53066
 Tel 800-882-8183
 Fax 262-953-5501
<http://www.bruno.com/>

rev: 04/15/2005 ISO 404.76