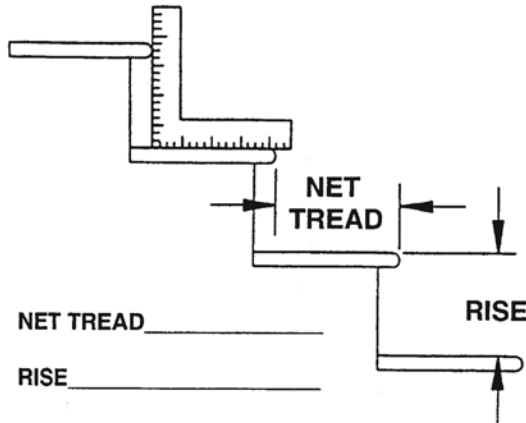


## SRE-3000 ELAN Application Guide and Order Form

Dealer No.: \_\_\_\_\_ P.O. No. \_\_\_\_\_ Customer: \_\_\_\_\_ Date: \_\_\_\_\_

### Step 1: Determine Staircase Angle



RISE	NET TREAD						
	12"	11"	10"	9"	8"	7"	6"
6"	27	29	31	34	37	41	45
7"	30	33	35	38	41	45	
8"	34	36	39	42	45		
9"	37	39	42	45			
10"	40	42	45				
11"	43	45					
12"	45						

NOTE: ANGLES ABOVE ARE ROUNDED TO THE NEXT DEGREE. FOR ANGLES ABOVE 45 DEGREES, CONSULT BRUNO FOR SPECIAL ORDER DETAILS.

### Step 2: Define Stairway Dimensions and Details

stair tread material \_\_\_\_\_ staircase width \_\_\_\_\_  
 (32" min. for standard unit)

lower landing material \_\_\_\_\_ obstructions \_\_\_\_\_  
 (ex. handrails, moldings)

upper landing material \_\_\_\_\_

### Step 3: Specify Chair and Rail Details

**hand** (looking from bottom of stairs):

- left  right

NOTE: All SRE-3000 carriages are set for left-hand installation when shipped from the factory.

**chair upholstery**

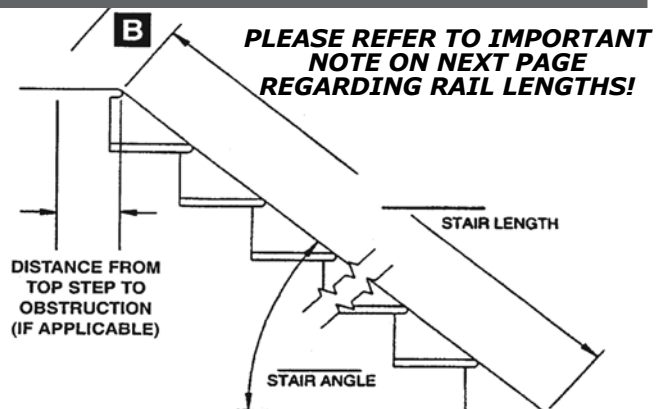
- tan vinyl

**additional options**

- folding rail
- adjustable clamps  
 \_\_\_\_\_ (indicate number of clamps)

Refer to Step 3 on following pages.

### Step 4: Determine Rail Length



DETERMINE THE STAIR LENGTH: \_\_\_\_\_  
 ADD "B" TOP RAIL EXTENSION: \_\_\_\_\_

PLEASE REFER TO "STEP 4" ON THE FOLLOWING PAGE FOR DETAILS.

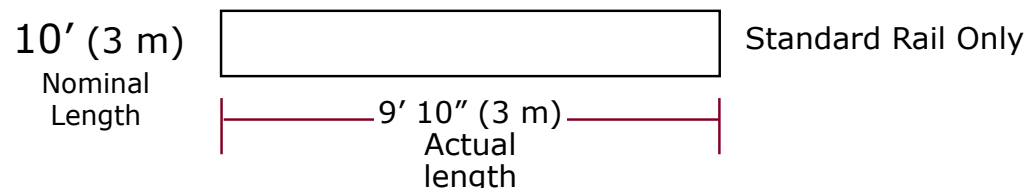
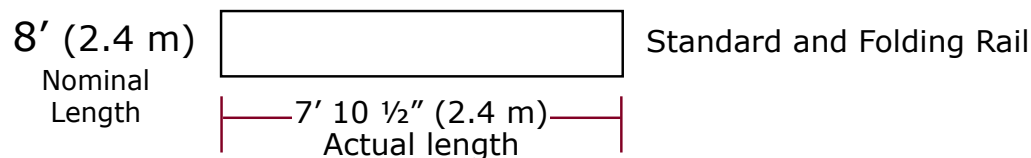
Overall Rail Length Required: \_\_\_\_\_  
 16' nominal (std. and folding rail) \_\_\_\_\_  
 18' nominal (folding rail only) \_\_\_\_\_  
 20' nominal (std. rail only) \_\_\_\_\_

# **SRE-3000 Elan Rail Lengths**

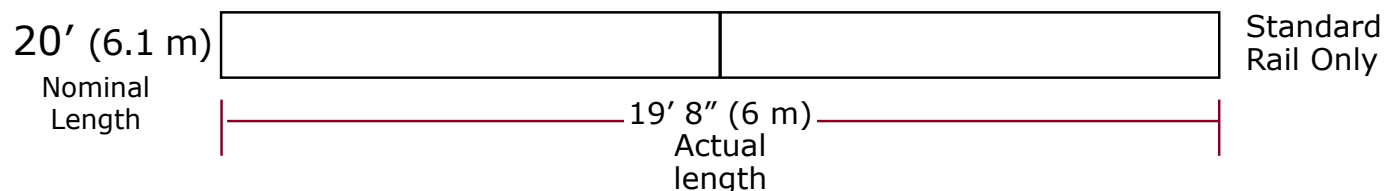
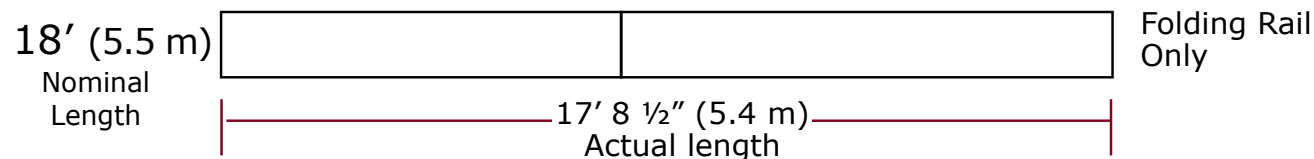
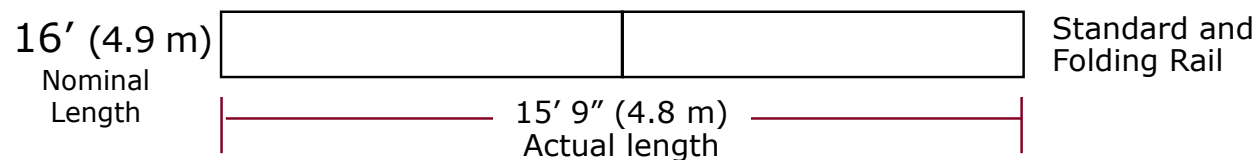
**The new rail lengths differ from those shipped with other stairway elevators. Please note the proper length before cutting the rail for the final fit!**

- We will still use 16' (4.8 m) and 20' (6 m) to refer to our rail lengths, but these are now nominal dimensions. The actual lengths are shown below.
- The manual folding rail option is available in the 16' nominal (4.8 m) configuration and new 18' nominal (5.5 m) maximum length option. The folding rail is **not** available in the 20' nominal (6.1 m) length.

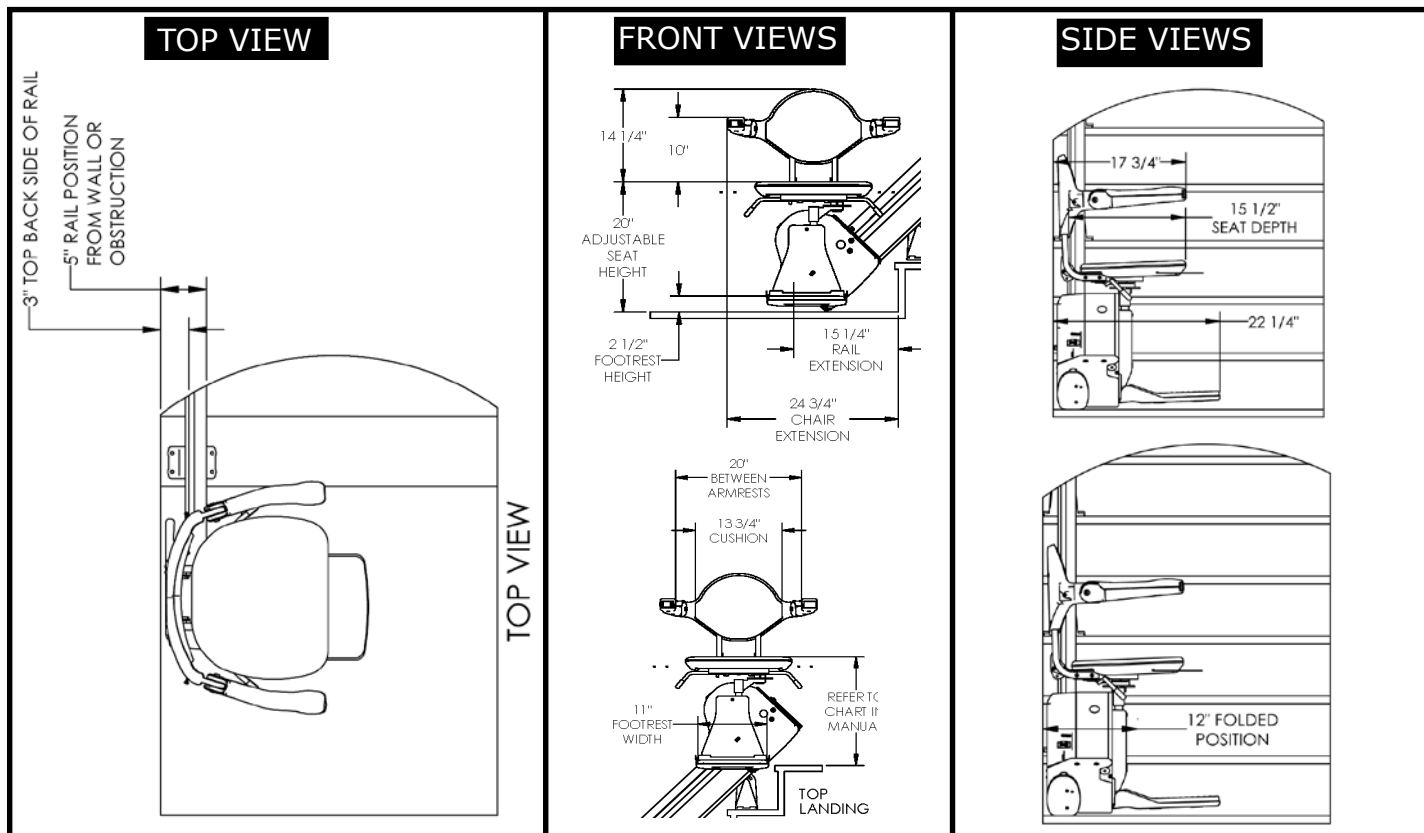
## **Rail Sections**



## **Rail Lengths**



### Step 3: SRE-3000 ELAN APPLICATION DETAILS

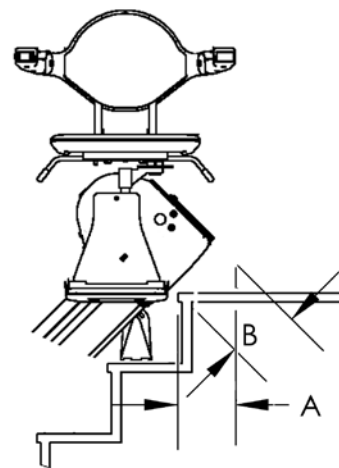


Dimensions shown in **side views** are based on 4 1/2" (114 mm) rail position from wall or obstruction.

### Step 4

UPPER ENTRY/EXIT SEAT HEIGHT IN INCHES								
	17	18	19	20	21	22	23	
35	1.5	2.8	4.1	5.6	7.0	8.4	9.8	A
	6.0	7.7	9.2	11.0	12.5	13.8	15.5	B
36	1.6	2.9	4.3	5.6	7.0	8.4	9.8	A
	6.2	7.9	9.4	11.1	12.6	13.9	15.8	B
37	1.7	3.0	4.4	5.7	6.9	8.4	9.6	A
	6.4	8.1	9.6	11.2	12.7	14.3	16.0	B
38	1.9	3.1	4.5	5.7	6.9	8.3	9.4	A
	6.6	8.2	9.7	11.3	12.8	14.4	16.1	B
39	5.7	5.7	5.7	5.7	6.9	8.2	9.4	A
	11.5	11.5	11.5	11.5	13.0	14.6	16.2	B
40	1.8	3.3	4.6	5.7	6.9	8.1	9.2	A
	2.2	8.6	10.1	11.7	13.2	14.8	16.3	B
41	1.9	3.4	4.6	5.7	6.8	7.9	8.9	A
	7.2	8.8	10.3	11.8	13.3	14.9	16.5	B
42	2.4	3.5	4.7	5.8	6.9	8.0	9.1	A
	7.4	9.0	10.5	12.0	13.5	15.1	16.6	B
43	2.5	3.6	4.7	5.8	6.8	7.9	9.0	A
	7.6	9.1	10.6	12.2	13.7	15.2	16.7	B
44	2.7	3.7	4.8	5.8	6.8	7.9	8.9	A
	7.8	9.3	10.8	12.3	13.8	15.4	16.9	B
45	2.8	3.8	4.8	5.8	6.8	7.8	8.8	A
	8.0	9.5	11.0	12.5	14.0	15.5	17.0	B

The chair extends approximately 5-8" (127-203 mm), depending on the arm width setting, beyond the rail at the upper landing.



#### Alternate Seat Height Dimensions

measured at lower level:  
21", 22", 23"

Reduce the "B" dimension 1.5" for each inch the seat height is increased.

If A is < 3 or B is > 12, then one or more adjustable stand foot sets (SRE-30150) are required.

DIMENSIONS ON CHART ARE WITH THE CHAIR IN THE LOWEST POSITION: 20"/500 MM.